



MAV/MAVO STEM & CARTRIDGE VALVES CONT'D.

MAV/MAVO Stem Valves Cont'd.

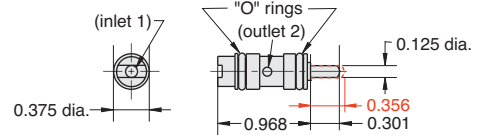
2-Way Cartridge Valves



(MAV-2C shown)

Function	2-Way
Normally-Closed	<u>MAV-2C</u>
Normally-Open	<u>MAVO-2C</u>

Air Flow: 3 scfm @ 50 psig; 6 scfm @ 100 psig



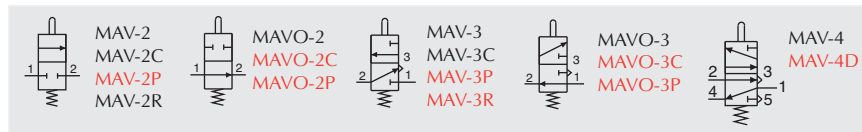
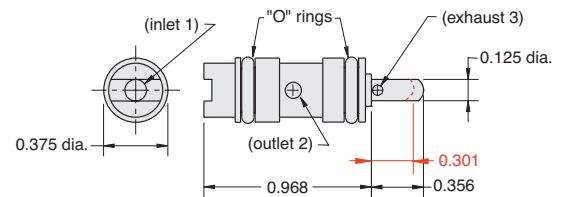
3-Way Cartridge Valves



(MAVO-3C shown)

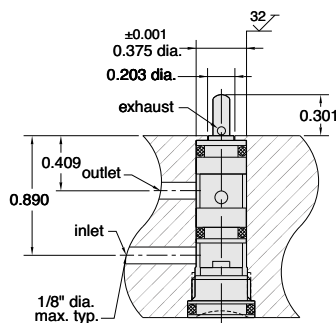
Function	3-Way
Normally-Closed	<u>MAV-3C</u>
Normally-Open	<u>MAVO-3C</u>

Air Flow: 3 scfm @ 50 psig; 6 scfm @ 100 psig

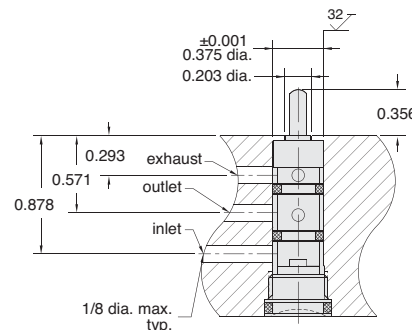


Cartridge Valve Mounting

Clippard miniature cartridge valves offer the user flexibility in the application of 2-way and 3-way Normally-Open or Normally-Closed valves. They are used in Clippard heavy-duty limit switches and are suitable for pneumatic tools and manifolds or for any use where a valve needs to be built in.



MAV-2C/3C

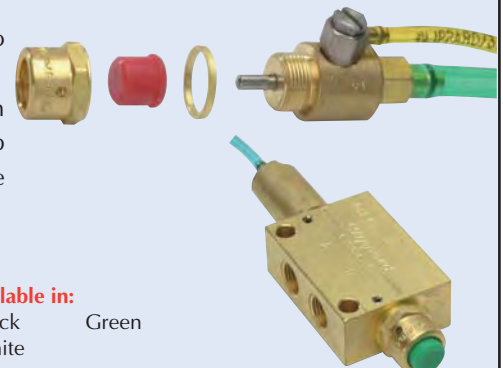


MAVO-2C/3C

Captivated Push Buttons



The small compact size make the push buttons adaptable to panel mounting. Unlike set screw retained buttons, the screw-on design will not allow the button to fall off. Designed to work with Clippard MAV, MJV, and FV series valves, these buttons also help protect the valve by preventing over-traveling of the stem and the potential for side-load on the valve. See [page 139](#) for more information.



Button Housing Available in:

Black Chrome Electroless
Brass Nickel Plated

Button Colors Available in:

Yellow Black
Red White
Green